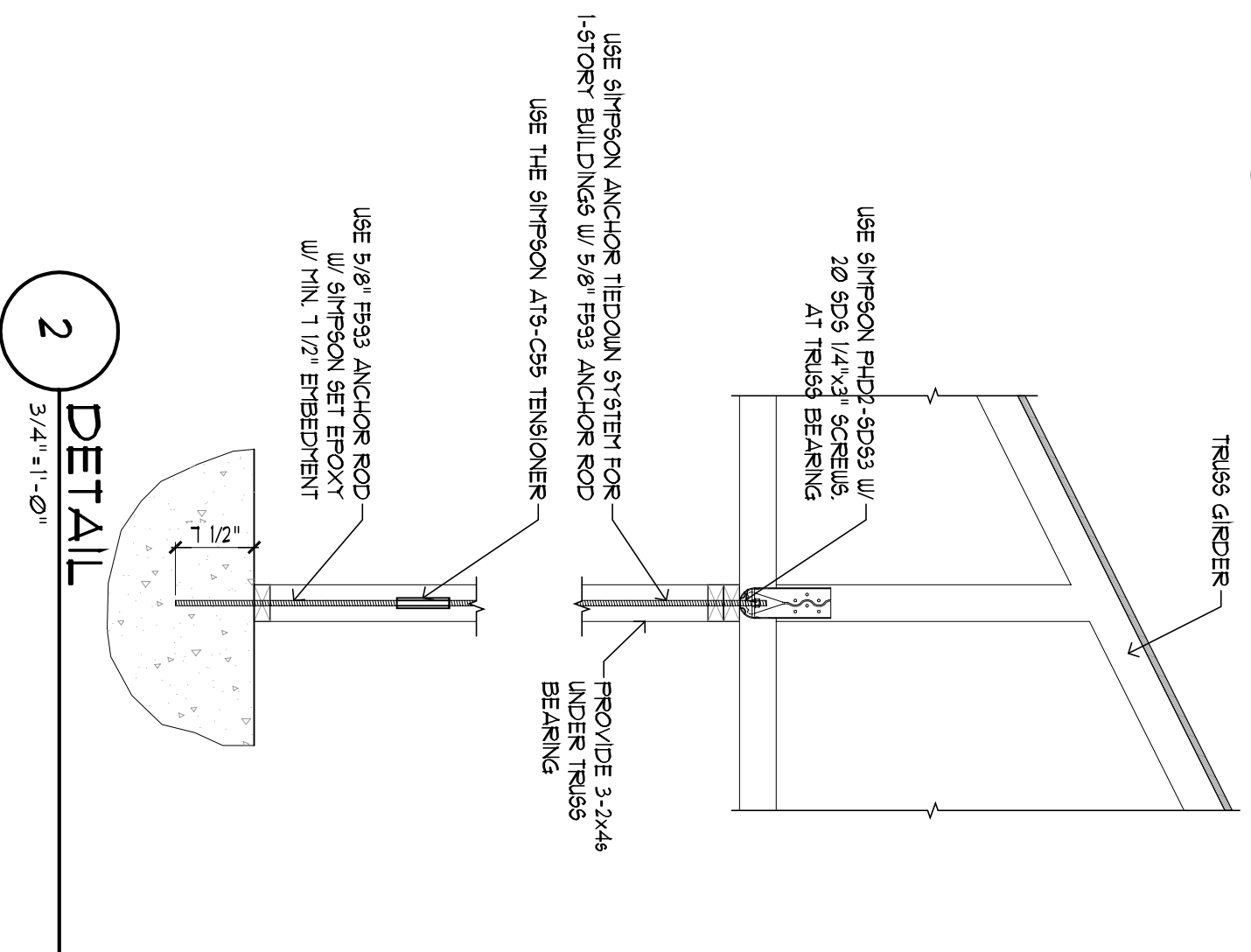


1 PARTIAL WALL AND COLUMN PLAN  
3/32" = 1'-0"

ⓑ DENOTES BEAMS - SEE SHEET 50 FOR BEAM SCHEDULE  
ⓐ DENOTES BASE PLATE - SEE SHEET 50 FOR BASE PLATE SCHEDULE

2 DETAIL  
3/16" = 1'-0"



ⓓ DENOTES WALL TYPE - SEE SCHEDULE THIS SHEET

WALL SCHEDULE

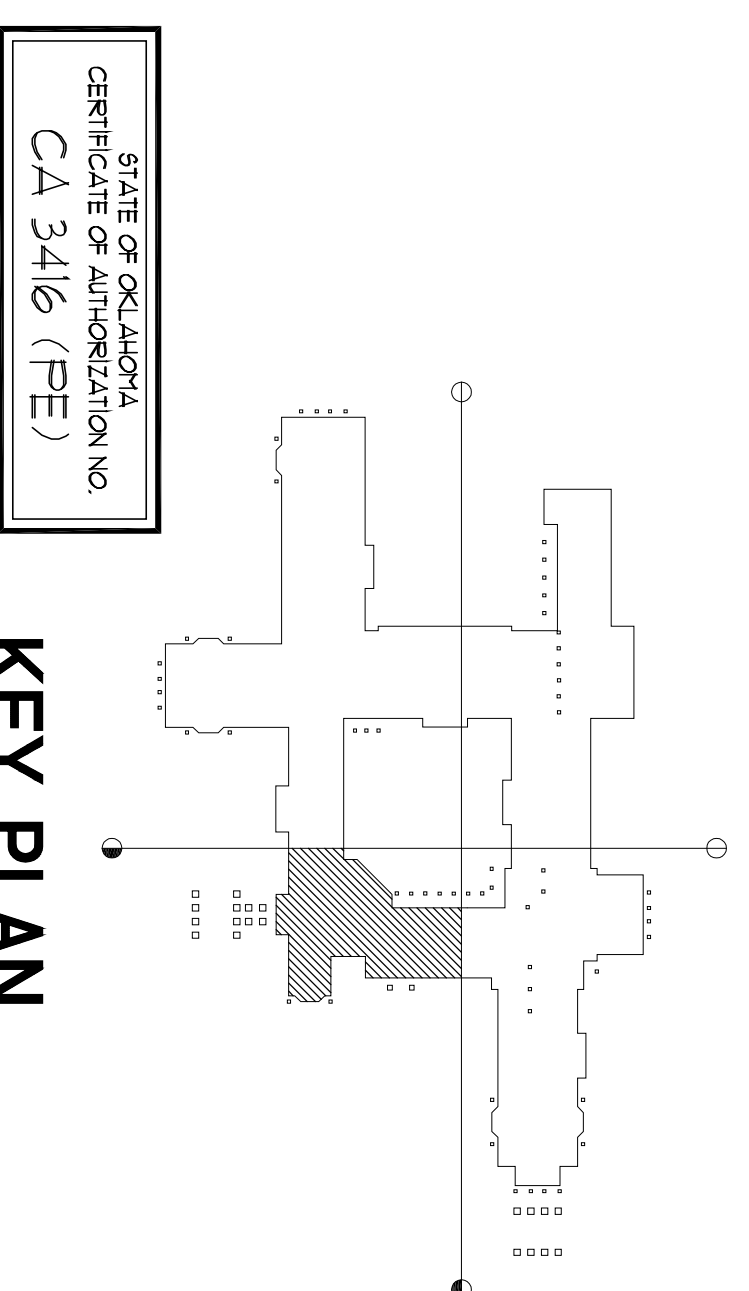
MARK	TYPE	DESCRIPTION	DETAIL	STUD		TOP TRACK		SEAMING		INTERIOR FACE		WALL CONSTR.	
				SPACING	DETAIL	DESCRIPTION	DETAIL	EXTERIOR FACE	INTERIOR FACE	WALL CONSTR.	WALL CONSTR.		
W1*	EXTERIOR	2 X 4 F.L.A.T.E	1/56	SEE NOTE 1	2 X 4 STUDS	6"	SEE NOTE 1	5/8" GTP BOARD	6/48	9' 1" T	5/8" GTP BOARD	6/48	9' 1" T
W2*	EXTERIOR	2 X 4 F.L.A.T.E	1/56	SEE NOTE 1	2 X 4 STUDS	6"	SEE NOTE 1	5/8" GTP BOARD	6/48	4"	5/8" GTP BOARD	6/48	4"
W3*	INTERIOR	2 X 4 F.L.A.T.E	1/56	SEE NOTE 1	2 X 4 STUDS	6"	SEE NOTE 1	5/8" GTP BOARD	6/48	9' 1" T	5/8" GTP BOARD	6/48	9' 1" T

- NOTES:
- SEE DETAILS 7/56 & 1/56
  - WALLS 3 AND 4 ARE TO BE SET BACK FROM THE ROOM PARTITION
  - WALLS 1 AND 2 ARE TO BE SET BACK FROM THE ROOM PARTITION
  - ALL EXTERIOR WALLS FOR WHICH DETAIL 1 ON SHEET 50 APPLIES ARE TO BE SET BACK FROM THE ROOM PARTITION

LEGEND

- FINISH WOOD CONNECTION - SEE DETAIL 50A
- ★ FINISH WOOD CONNECTION - SEE DETAIL 1/56
- ⓓ PARTIAL WALL - SEE DETAIL FOR CONNECTION

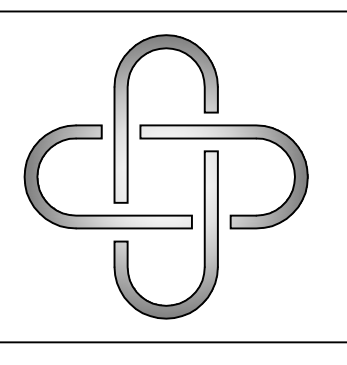
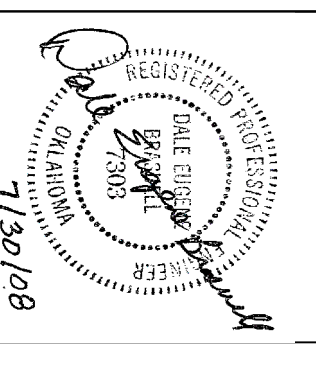
NOTE: ALL WOOD WALL ARE TO BE SET BACK



REVISIONS

NO.	REVISION	BY
06-18-09	REVISION 2	JR
09-01-09	REVISION 3	JR

STEPHEN L. JORDAN ARCHITECT  
4189 E. Mission Blvd. Fayetteville, Ar. 72703  
Phone: (479) 444-9923 Fax: (479) 444-9924



DATE: 07.30.08  
SCALE: 3/32" = 1'  
DRAWN: J. JORDAN  
JOB: 112107  
SHEET: S7  
OF 23 SHEETS