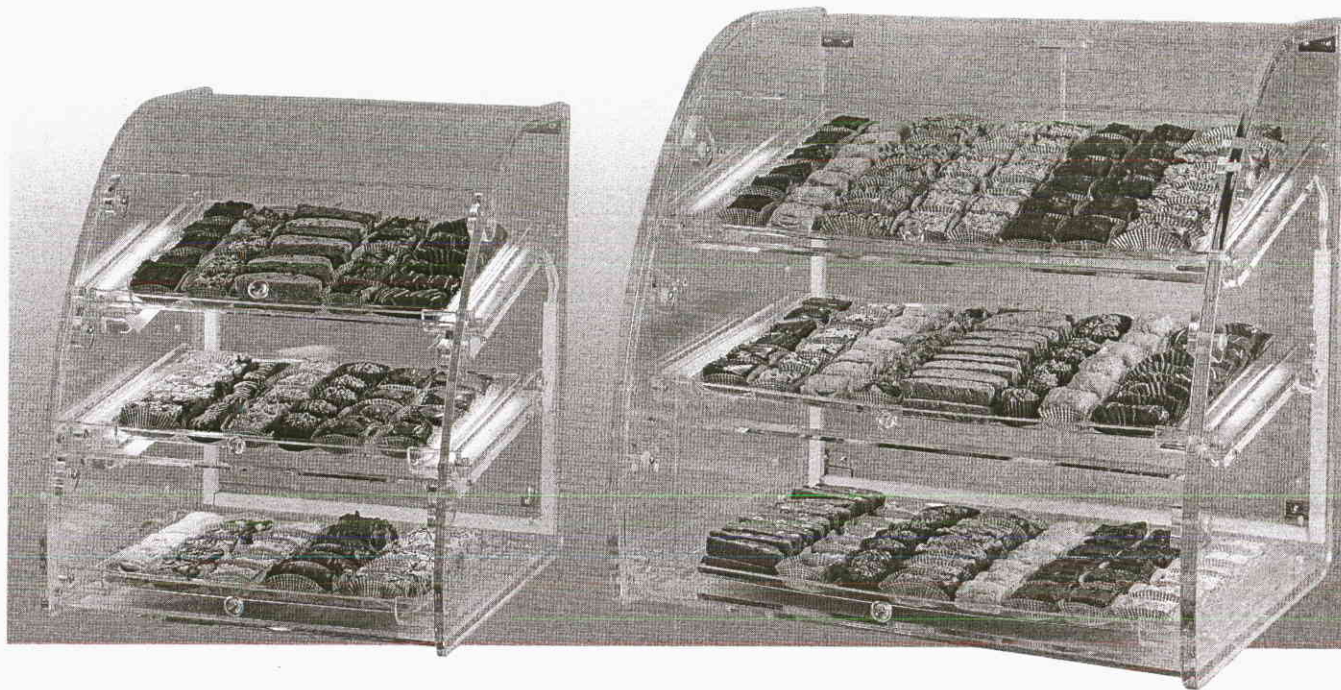




a Standex company

Item 75 1BA

**CURVED ACRYLIC
COUNTER TOP
MODEL CSCT-1
CSCT-2
CLCT-1
CLCT-2**



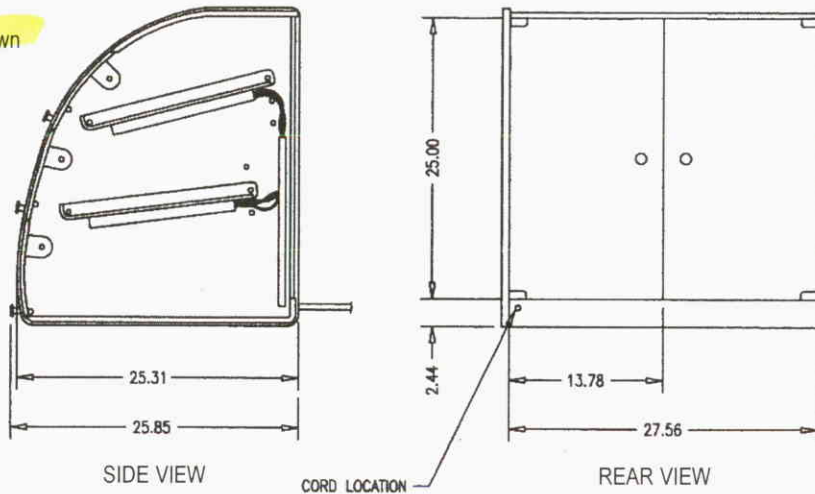
The versatile, eye-catching Federal curved counter top service or self-service acrylic display is designed to fit on your counter for high-profit impulse sales. Available in two sizes, either service or self-service.

STANDARD FEATURES

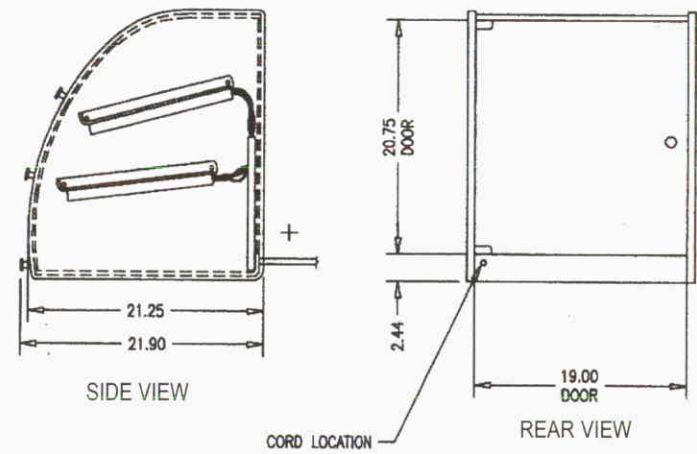
- Rear hinged doors for easy loading.
- Shelf lights.
- Self-serve models have three hinged lift-up front doors for customer access and rear hinged doors for loading.
- Cord and plug.
- Rubber feet prevent case slippage.
- Display pans included. The CLCT accepts three 18" x 26" trays. The CSCT accepts three 14" x 18".

CURVED ACRYLIC COUNTER TOP NON-REFRIGERATED SERVICE OR SELF-SERVE CASE

CLCT-2 Shown



CSCT-2 Shown



SPECIFICATIONS:

| Model | Description | Dimensions | Shipping Weight (lbs) |
|--------|---|---------------------------|-----------------------|
| CSCT-1 | Service Case With Rear Swing Doors | 24" H x 20 1/2" W x 21" D | 115 |
| CSCT-2 | Self-Serve Case With Rear Swing Doors and Three Front Lift-Up Doors | 24" H x 20 1/2" W x 21" D | 115 |
| CLCT-1 | Service Case with Rear Swing Doors | 29" H x 29" W x 25" D | 140 |
| CLCT-2 | Self-Serve Case With Rear Swing Doors and Three Front Lift-Up Doors | 29" H x 29" W x 25" D | 140 |

- Due to continuing engineering improvements, specifications are subject to change without notice.

Look to Federal for Innovative Merchandising



a Standex company

Federal Industries
A Standex Company
215 Federal Avenue
Belleville WI 53508-0290
Phone: 800-356-4206
Fax: 608-424-3234
Email: geninfo@federalind.com
Web Site: www.federalind.com