



ALUMINUM
PAN RACKS
Knock Down



Item #: 47 Qty #: 2
 Model #: _____
 Project #: _____



Front Load



Side Load

FEATURES:

Six cylindrical support bars provide strength and durability. 3" shelf spacing.

Plastic endcaps, 1 1/2" ribbed angles, heavy duty 5" stem bolted swivel casters.

Front load pan rack holds [20] 18" x 26" pans or [40] 18" x 13" pans. Side load pan rack holds [20] 18" x 26" pans.

500 lb. capacity. Units shipped K.D.

CONSTRUCTION:

Fully welded 1" square tubing ladder assembly.

Angles are 1" x 1 1/2" x 20" on front load pan rack and 1" x 1 1/2" x 17 3/4" on side load pan rack.

MATERIAL:

6063-T52 extruded aluminum angles, upright tubing, and support pieces.

MODEL #	Description	Pan Capacity	A Shelf Spacing	Overall Size L x W x H	Weight
PR12-5K	Front Load	12 Full Size	5"	20 1/4" x 26" x 69 1/4"	24 lbs.
PR18-3K	Front Load	18 Full Size	3"	20 1/4" x 26" x 63 1/4"	26 lbs.
PR20-3K	Front Load	20 Full or 40 Half Size	3"	20 1/4" x 26" x 69 1/4"	28 lbs.
PR30-2K	Front Load	30 Full Size	2"	20 1/4" x 26" x 69 1/4"	34 lbs.
PR18-3KS	Side Load	18 Full Size	3"	28 1/4" x 18" x 63 1/4"	25 lbs.
PR20-3KS	Side Load	20 Full Size	3"	28 1/4" x 18" x 69 1/4"	27 lbs.



Customer Service Available To Assist You **1-800-645-3166** 8:30 am - 8:00 pm E.S.T.

Email Orders To: customer@advancetabco.com. For Smart Fabrication™ Quotes, Email To: smartfab@advancetabco.com or Fax To: 631-586-2933

NEW YORK
 Fax: (631) 242-6900

GEORGIA
 Fax: (770) 775-5625

TEXAS
 Fax: (972) 932-4795

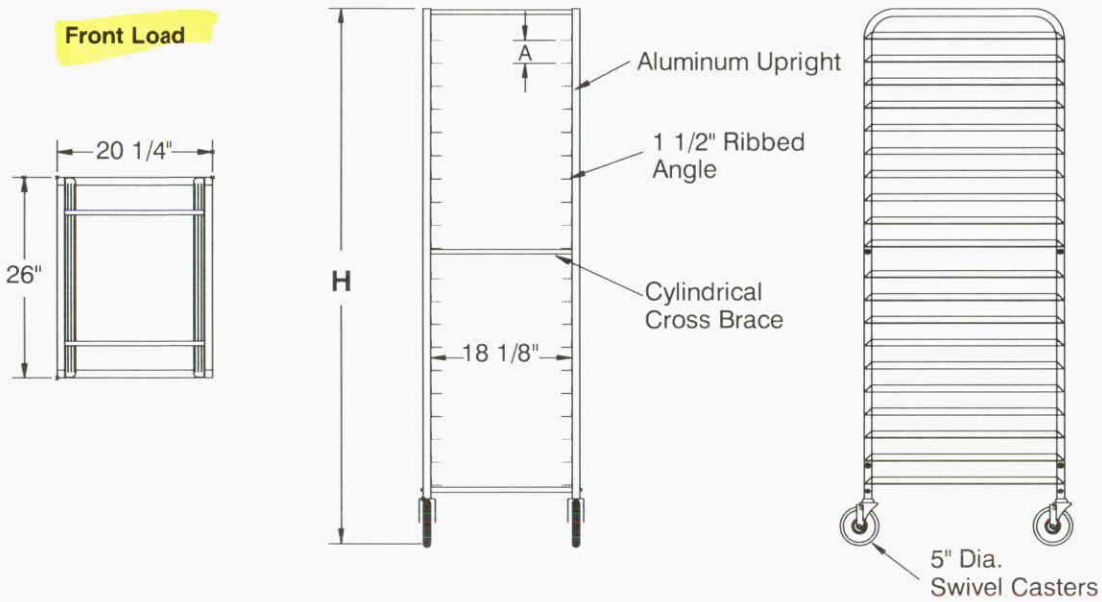
NEVADA
 Fax: (775) 972-1578

DIMENSIONS and SPECIFICATIONS

TOL ± .500"

ALL DIMENSIONS ARE TYPICAL

Front Load



Side Load

