



ANVIL

Iron #47

MIXER ELECTRIC

DYNASTY SERIES - GEAR TRANSMISSION - 20 QUART

MIXER ELECTRIC 20 QUART



"Anvil's 20 Quart Mixers are designed specifically for small commercial mixing applications. The grease packed ball bearing and air cooled motor ensure quiet and efficient continuous operation."

APPLICATION

- IDEAL FOR CONVENIENCE STORES, SMALL BAKERIES AND HOME INDUSTRIES
- COMES STANDARD WITH MIXING BOWL, WIRE WHISK, DOUGH HOOK AND SPATULA. THESE ITEMS ARE ALSO AVAILABLE SEPARATELY
- CONSISTANT MIXING SPEEDS ARE MAINTAINED REGARDLESS OF THE VOLUME IN THE BOWL

CONSTRUCTION

- POWERFUL 1/2HP AIR-COOLED MOTOR
- 3 FIXED SPEEDS WITH EASY SPEED SHIFTING
- GEAR DRIVEN TRANSMISSION
- LONG-LIFE GEAR BOX
- #12 HUB FOR A MEAT GRINDING ATTACHMENT OFFERS FLEXIBILITY BETWEEN GRINDING AND MIXING
- GREASE PACKED BALL BEARING
- COMES STANDARD 110V SINGLE PHASE
- GEARS AND SHAFTS MADE OF HEAT TREATED ALLOY STEEL

Anvil reserves the right, without notice, to make changes and revisions to product specifications, materials and design, which in our opinion, will provide better performance, durability and efficiency.

QUALITY  GUARANTEE

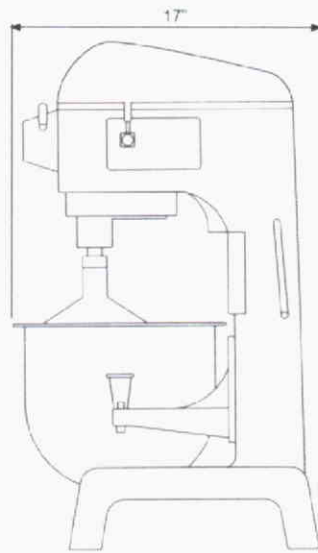
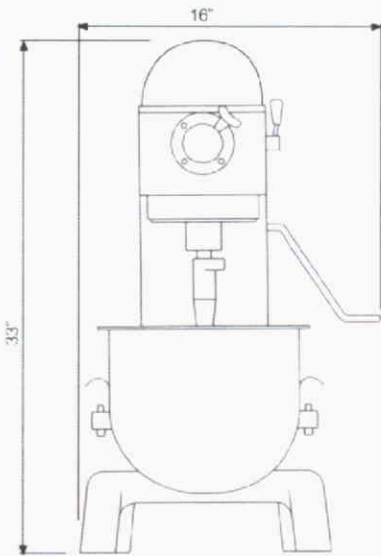
ALL ANVIL EQUIPMENT COMES WITH A ONE YEAR WARRANTY ON COMPONENTS AND DEFECTIVE WORKMANSHIP



NOTE:

When viewing the appliance from the front in its usual operating position, the width (W) of the product is the total distance from left to right; the depth (D) of the product is the total distance from front to back; the height (H) is the total distance from the bottom of the product to the top

**MIXER ELECTRIC
20 QUART** **MODELS:
MIX1020**



MIXING BOWL
XMIX2011



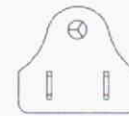
WIRE WHISK
XMIX2012



DOUGH HOOK
XMIX2013



SPATULA
XMIX2014



NEMA 50:15P
110V

DESCRIPTION	MIXER 20Q WITH GUARD	ACCESSORIES - CODE	ACCESSORIES - DESCR.
MODELS	MIX1020	XMIX2011	MIXING BOWL
POWER (HP)	0.5	XMIX2012	WIRE WHISK
VOLTAGE (V)	110V	XMIX2013	DOUGH HOOK
DIMENSIONS (in) (W x D x H)	16 x 17 x 33	XMIX2014	SPATULA
BOX DIMNS (in) (W x D x H)	23 x 19 x 40	MIX2016	MEAT GRINDER HEAD NO.12
SHIPPING WEIGHT (lbs)	219	MIX2015	GRATER HEAD NO.12
PLANETARY SPEED	106/359/397 rpm		

Note: Output performance figures quoted are dependant on various factors.

Website: www.anvilworld.com



MIX_ANVIL_USA_07