



STAINLESS STEEL FC Series - 16 Gauge Fabricated Sinks



Item #: 34 Qty #: 1
 Model #: _____
 Project #: _____

FEATURES:

Backsplash has tile edge for ease of installation.
 Sink bowls are 3/4" coved corner and meet NSF requirements.
 Rolled Rim Edge for additional strength.
 Sink Bowls are 14" deep for greater capacity.
NOTE: 15" x 15" bowls are 12" deep.

CONSTRUCTION:

All TIG welded.
 Welded areas blended to match adjacent surfaces and to a satin finish.
 Gussets welded to a die-embossed reinforced plate.

MATERIAL:

1 5/8" diameter stainless steel legs.
 Stainless steel legs with 1" adjustable stainless steel bullet feet.
 Entire unit is 16 gauge 304 stainless steel.
 Gussets - galvanized steel.

MECHANICAL:

- Supply is 1/2" IPS hot & cold.
- Faucet holes on 8" centers.
- Faucets are not included (see accessories).
- Waste drains are 1 1/2" IPS S/S basket type, located in center of sink bowl, and are included.

	MODEL #	BOWL SIZE	O.A. Length	# of Drbds.
ONE COMP	FC-1-1818	18x18	23"	0
	FC-1-1818-18RorL	18x18	38 1/2"	1
	FC-1-1818-18RL	18x18	54"	2
	FC-1-1818-24RorL	18x18	45"	1
	FC-1-1818-24RL	18x18	66"	2
	FC-1-2424	24x24	29"	0
TWO COMP	*FC-2-1515	15x15	35"	0
	FC-2-1818	18x18	41"	0
	FC-2-1818-18RL	18x18	72"	2
	FC-2-1818-24RL	18x18	84"	2
	FC-2-2424-18RorL	24x24	68 1/2"	1
	FC-2-2424-24RL	24x24	96"	2
THREE COMP	*FC-3-1515	15x15	50"	0
	*FC-3-1515-15RL	15x15	75"	2
	FC-3-1818	18x18	59"	0
	FC-3-1818-18RorL	18x18	75"	1
	FC-3-1818-18RL	18x18	90"	2
	FC-3-1818-24RL	18x18	102"	2
	FC-3-1824-18RL	18x24	90"	2
	FC-3-1824-24RL	18x24	102"	2
*FC-3-2424-24RL	24x24	120"	2	
FOUR COMP	*FC-4-2424-24RL	24x24	144"	2

*2 Sets of Faucet Holes

*Indicates 12" Deep Bowls

ACCESSORIES	Model #	Qty
DRAINS		
FAUCETS		



Customer Service Available To Assist You **1-800-645-3166** 8:30 am - 8:00 pm E.S.T.
 Email Orders To: customer@advancetabco.com. For Smart Fabrication™ Quotes, Email To: smartfab@advancetabco.com or Fax To: 631-586-2933

NEW YORK
 Fax: (631) 242-6900

GEORGIA
 Fax: (770) 775-5625

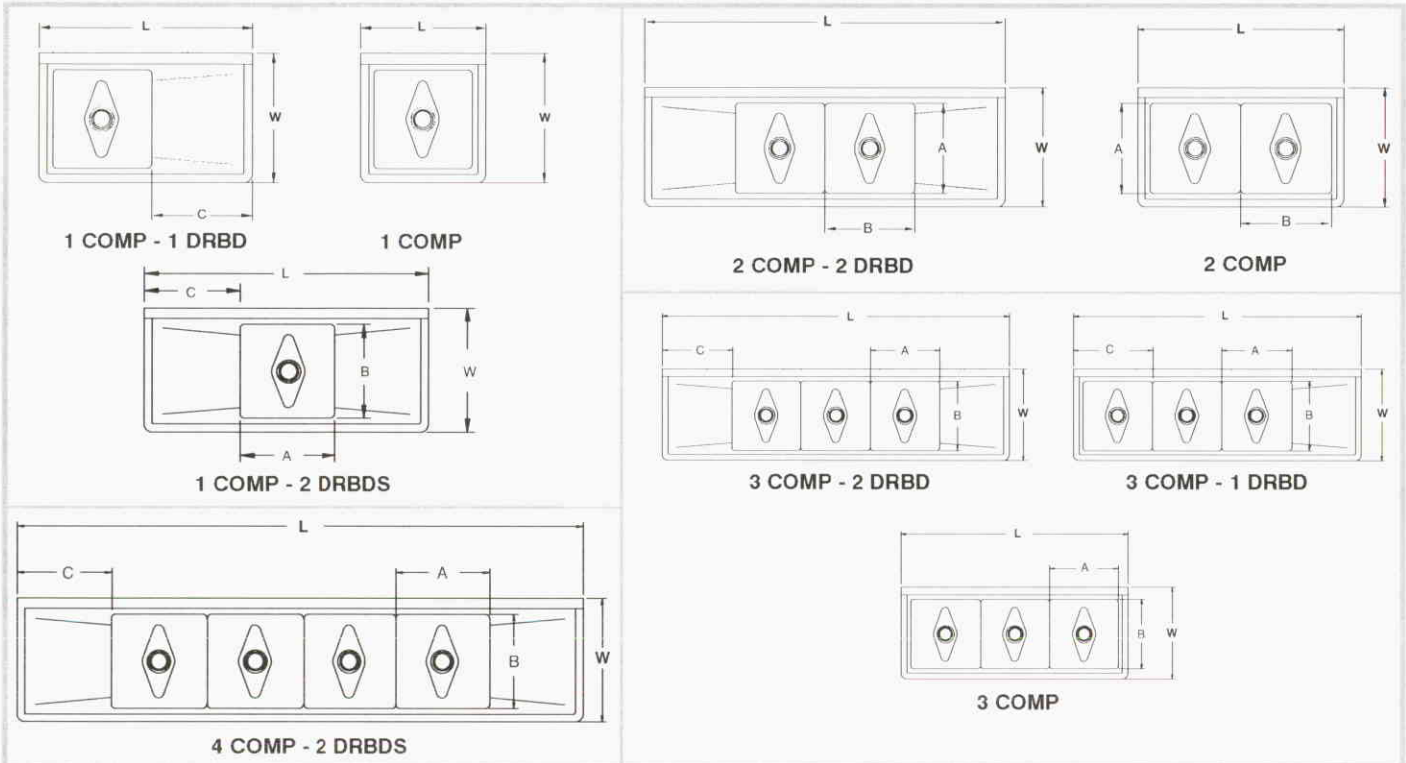
TEXAS
 Fax: (972) 932-4795

NEVADA
 Fax: (775) 972-1578

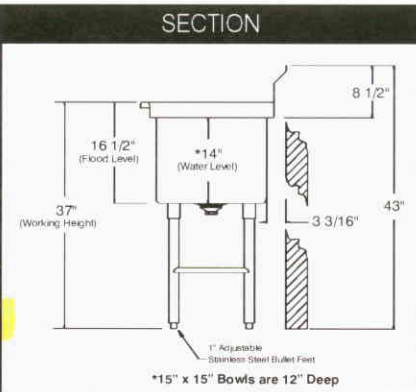
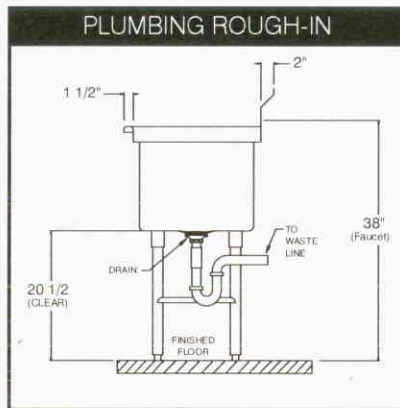
DIMENSIONS and SPECIFICATIONS

TOL Overall: ± .500" Interior: ± .250"

ALL DIMENSIONS ARE TYPICAL



	MODEL #	Length L	Width W	Bowl Size A & B	Drbd. Length C	# of Drbrds.	Drbrd. Location	Wt
ONE COMP	FC-1-1818	23"	24"	18x18	N/A	0	None	60 lbs.
	FC-1-1818-18RorL	38 1/2"	24"		18"	1	Specify	70 lbs.
	FC-1-1818-18RL	54"	24"		18"	2	Both	90 lbs.
	FC-1-1818-24RorL	45"	24"		24"	1	Specify	75 lbs.
	FC-1-1818-24RL	66"	24"		24"	2	Both	100 lbs.
	FC-1-2424	29"	30"	24x24	N/A	0	None	90 lbs.
TWO COMP	*FC-2-1515	35"	21"	15x15	N/A	0	None	69 lbs.
	FC-2-1818	41"	24"	18x18	N/A	0	None	83 lbs.
	FC-2-1818-18RL	72"	24"		18"	2	Both	105 lbs.
	FC-2-1818-24RL	84"	24"	24"	2	Both	115 lbs.	
	FC-2-2424-18RorL	68 1/2"	30"	24x24	18"	1	Specify	180 lbs.
FC-2-2424-24RL	96"	30"	24"		2	Both	225 lbs.	
THREE COMP	*FC-3-1515	50"	21"	15x15	N/A	0	None	110 lbs.
	*FC-3-1515-15RL	75"	21"	18x18	15"	2	Both	120 lbs.
	FC-3-1818	59"	24"		N/A	0	None	120 lbs.
	FC-3-1818-18RorL	75"	24"		18"	1	Specify	130 lbs.
	FC-3-1818-18RL	90"	24"	18"	2	Both	140 lbs.	
	FC-3-1818-24RL	102"	24"	24"	2	Both	150 lbs.	
	FC-3-1824-18RL	90"	30"	18x24	18"	2	Both	265 lbs.
FC-3-1824-24RL	102"	30"	24"		2	Both	300 lbs.	
FOUR COMP	*FC-3-2424-24RL	120 96	30"	24x24	24"	1	Both	350 lbs.
	*FC-4-2424-24RL	144"	30"	24x24	24"	2	Both	400 lbs.



*2 Sets of Faucet Holes *Indicates 12" Deep Bowls



ADVANCE TABCO is constantly engaged in a program of improving our products. Therefore, we reserve the right to change specifications without prior notice.