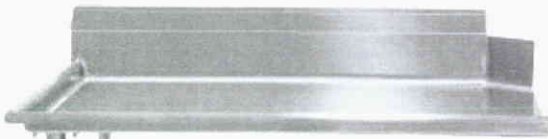


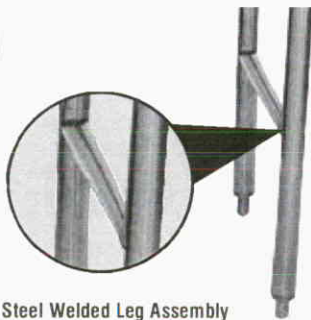


STAINLESS STEEL
ECONOMY DISHTABLES
CLEAN STRAIGHT

16 Gauge, 304 Stainless Steel



DTC-S60-60L-X Shown



Stainless Steel Welded Leg Assembly
 with Cross Bracing
 (Standard on S70 Series)

Item #: 25 Qty #: 1
 Model #: _____
 Project #: _____

FEATURES:

Tile edge for ease of installation.
 Dishtable system consists of SOIL and CLEAN sections.
 Table is furnished with 10-1/2" Backsplash with a 2" return.

S70 SERIES: Stainless Steel Welded Leg Assembly with Cross Bracing.
 Stainless Steel Legs with Stainless Steel Bullet Feet.

S60 SERIES: Galvanized Legs with Plastic Bullet Feet.

CONSTRUCTION:

All TIG welded.
 Welded areas blended to match adjacent surfaces and to a satin finish.
 Stainless Steel Gussets welded to a stainless steel support channel.

16 Gauge 304 TOP S/S Welded Leg Assembly, Stainless Steel Bullet Feet	16 Gauge 304 TOP Galvanized Legs Plastic Bullet Feet
---	--

Nominal Size	"L"	S70 SERIES	S60 SERIES	Approx. Wt.
2 Ft.	24"	DTC-S70-24L or R-X	DTC-S60-24L or R-X	35 lbs.
3 Ft.	36"	DTC-S70-36L or R-X	DTC-S60-36L or R-X	45 lbs.
4 Ft.	48"	DTC-S70-48L or R-X	DTC-S60-48L or R-X	60 lbs.
5 Ft.	60"	DTC-S70-60L or R-X	DTC-S60-60L or R-X	70 lbs.
6 Ft.	72"	DTC-S70-72L or R-X	DTC-S60-72L or R-X	85 lbs.
8 Ft.	96"	DTC-S70-96L or R-X	DTC-S60-96L or R-X	110 lbs.

Nominal sizing for ease of installation.



Optional Stainless Steel
UNDERSHELF with
Die Cast LEG CLAMP

secured to shelf eliminates
 unsightly nuts & bolts

ACCESSORIES	Model #	Qty
Prerinse Faucet	DTA-53-1X	
Rack Shelf		
Undershelf		



DTA-53-1X



NEW YORK
 (800) 645-3166
 Fax: (631) 242-6900

GEORGIA
 (800) 832-1218
 Fax: (770) 775-5625

TEXAS
 (800) 527-0353
 Fax: (972) 932-4795

NEVADA
 (800) 446-8684
 Fax: (775) 972-1578

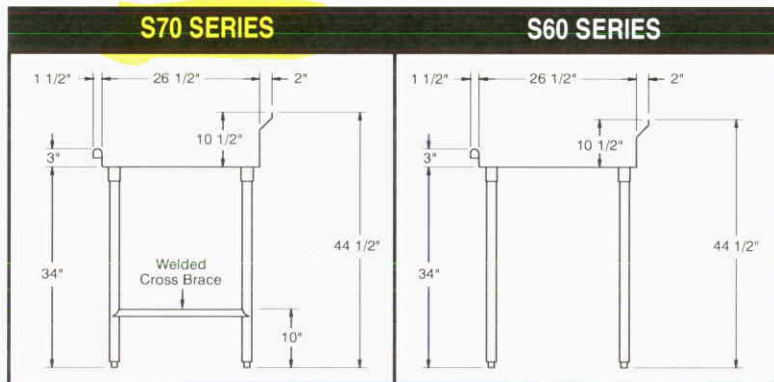
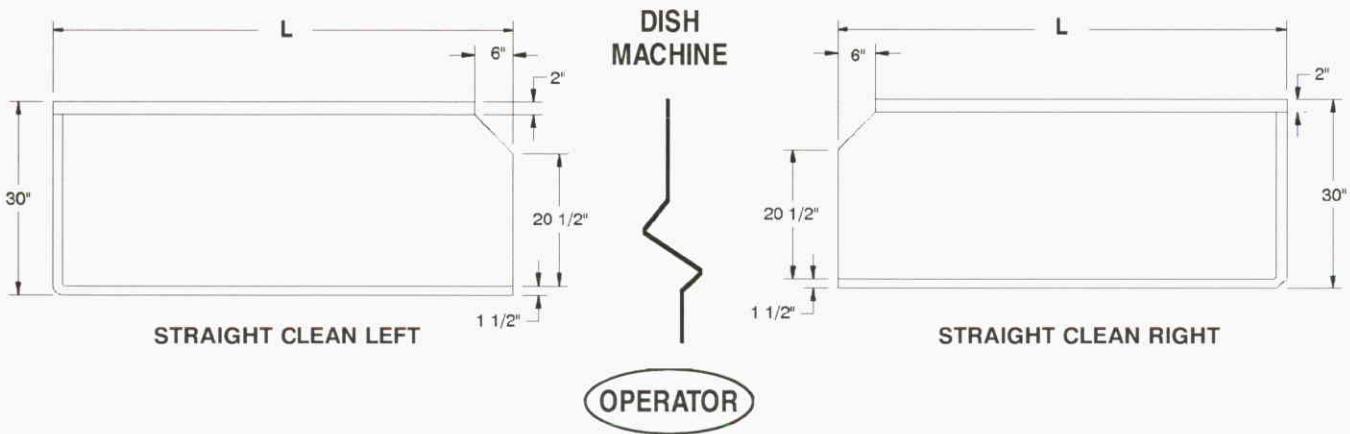
For Assistance with Smart Modifications & Accessories Call: **1-800-498-6634** Fax: 631-586-2933
 smartfab@advancetabco.com

DIMENSIONS and SPECIFICATIONS

TOL ± .500"

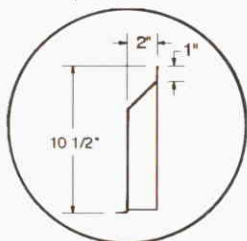
ALL DIMENSIONS ARE TYPICAL

SEE DISH MACHINE COMPATIBILITY CHART TO ENSURE PROPER FIT
DISH MACHINE COMPATIBILITY CHART CAN BE FOUND IN BACK OF THE SECTION "P" INDEX



CUSTOMIZE YOUR OWN SYSTEM
by Ordering Optional Accessories from our
PRODUCT & PRICE GUIDE

Splash Detail



Description	S70 SERIES	S60 SERIES
Material	16 Ga. 304 Series	16 Ga. 304 Series
1 5/8" Dia. Legs	Stainless Steel	Galvanized
Gussets	Stainless Steel	Stainless Steel
Bullet Feet (1" adj.)	Stainless Steel	Plastic
Cross Bracing	Welded	Optional

